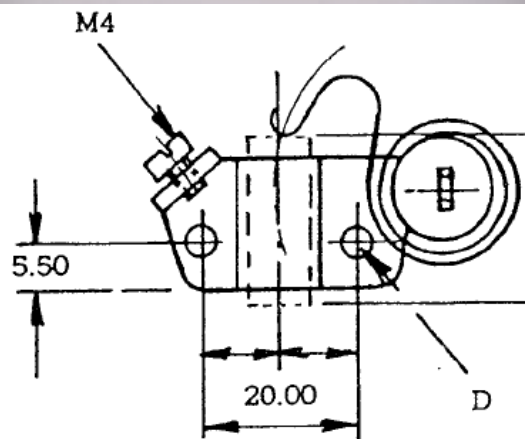




Engineering Carbon Products

BEARING PROTECTORS



Complete with an 'RS70' Silver Graphite Brush – 6.4mm x 10 x 23mm long

The maximum space required for fitting is 55mm x 35mm x 20mm

The mounting holes are pre-threaded to accept M4 screws



Midlands Facility – Tel. 01384 892011
Southern Facility – Tel. 0208 686 7410

